



Spare Parts List

For printer model:

S8408/S8412/S8424 Standard



PN: 9001162 (B)

www.satoamerica.com

SATO America, Inc.

10350A Nations Ford Road
Charlotte, NC 28273

Main Phone: (704) 644.1650

Technical Support: (704) 644.1660

Technical Support Fax: (704) 644.1661

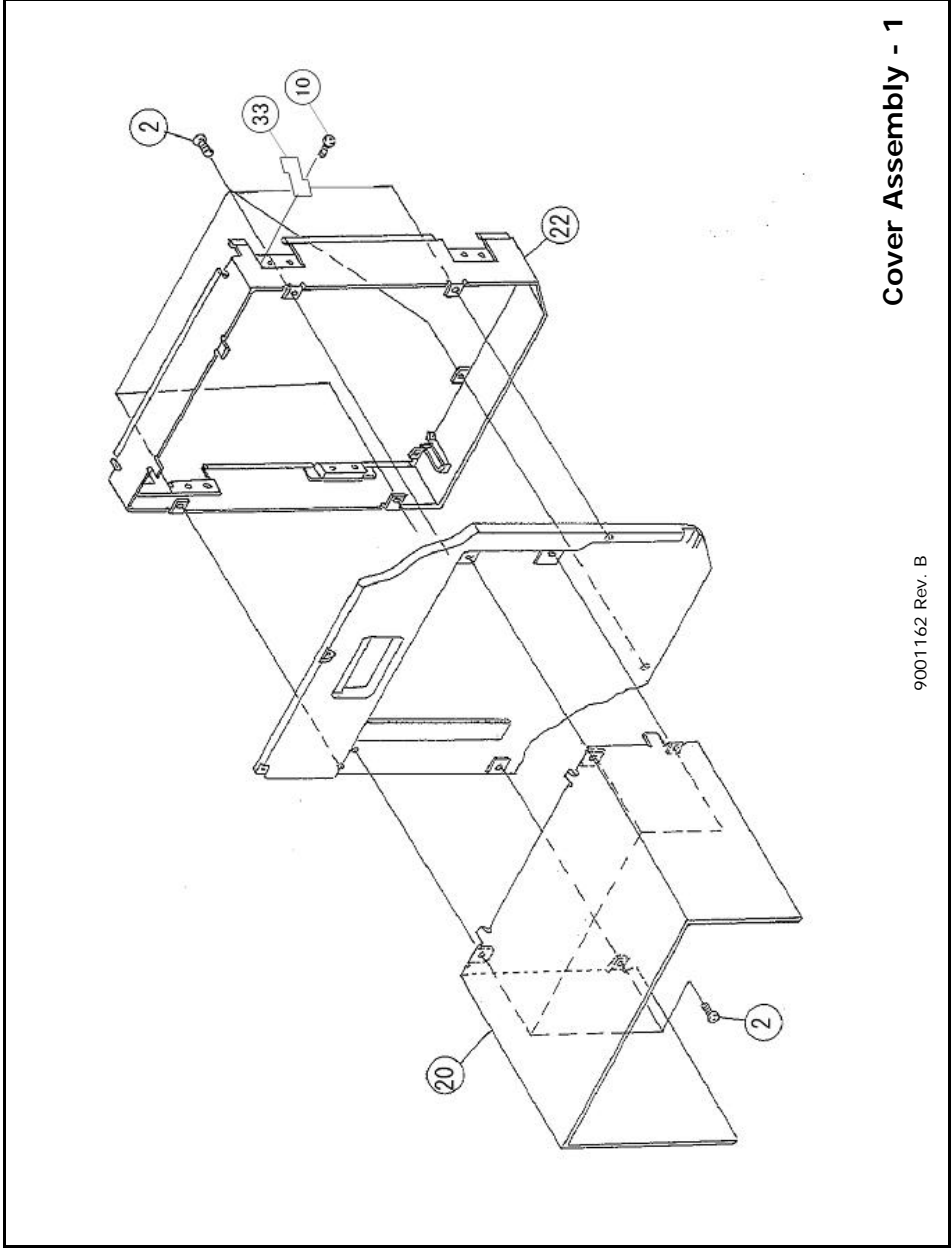
E-Mail: satosales@satoamerica.com

techsupport@satoamerica.com

www.satoamerica.com

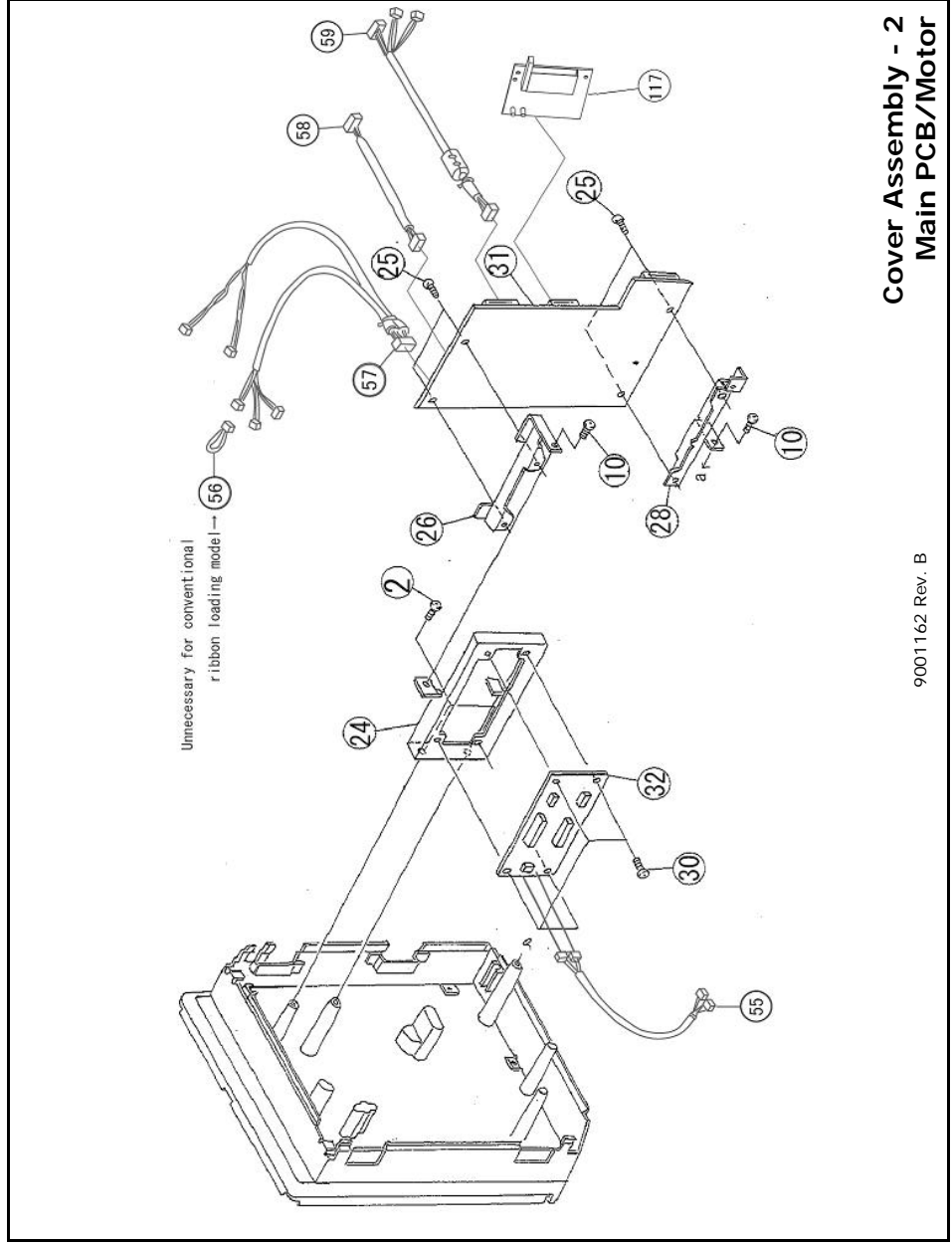
Copyright 2008 SATO America, Inc. All rights reserved

9001162 Rev. B



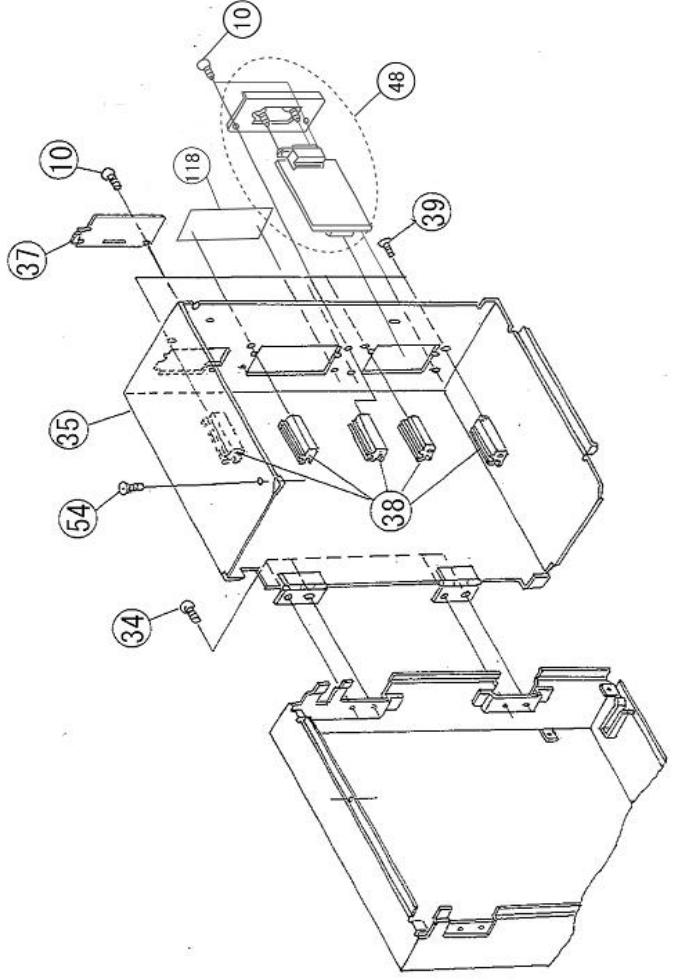
Cover Assembly - 1

9001162 Rev. B



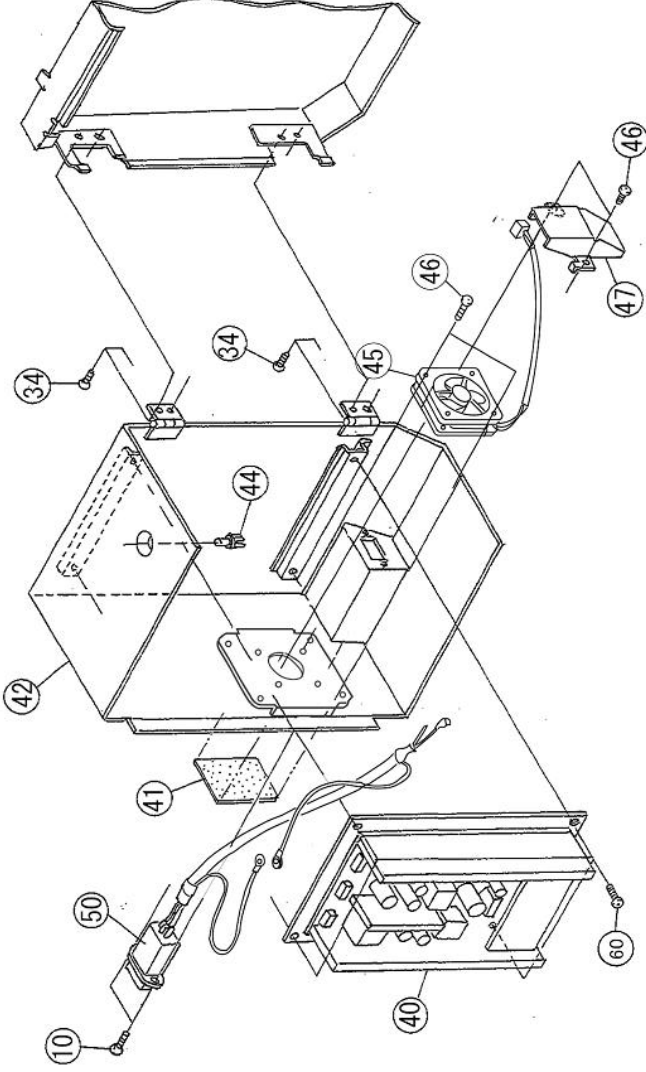
**Cover Assembly - 2
Main PCB/Motor**

9001162 Rev. B



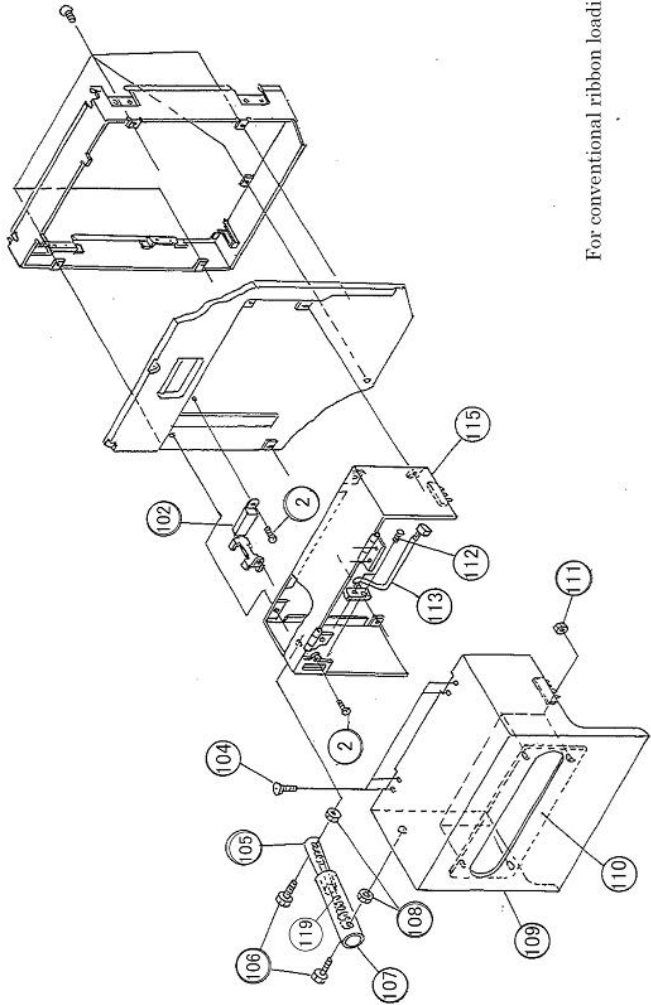
**Cover Assembly - 3
Interface Housing**

9001162 Rev. B



**Cover Assembly - 4
Power Supply**

9001162 Rev. B



For conventional ribbon loading model.

Cover Assembly - 5 Front Cover

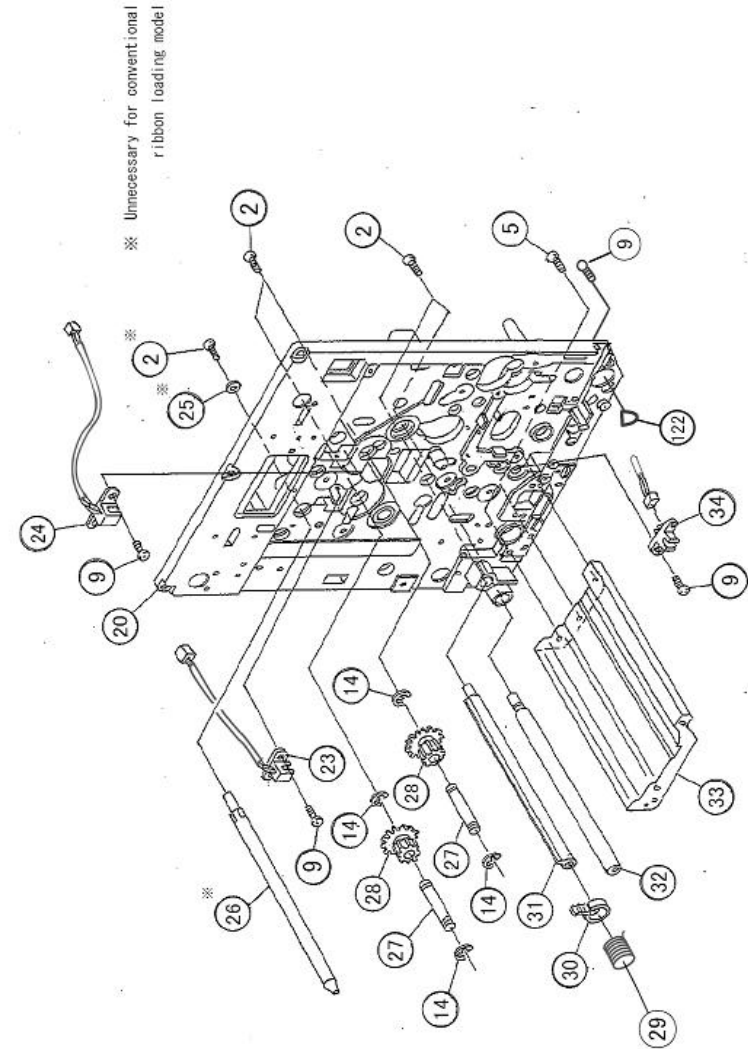
9001162 Rev. B

No.	Part Number	Description
2	M16259000	PAN HEAD SCREW+SW+WL
10	MD4300825	PAN HEAD SCREW+SW+WL
20	P14133000	TOP COVER(STD)
21	P17798000	TOP COVER(OPP)
22	R05973030	CLOSE COVER A(STD)SET
23	R07921030	CLOSE COVER A(OPP)SET
24	P17099000	DRIVER PCB BR
25	MD4300822	PAN HEAD SCREW+SW+WL
26	P17027010	MAIN PCB BR A(STD)
27	P17795000	MAIN PCB BR A(OPP)
28	P17028000	MAIN PCB BR B(STD)
29	P17796000	MAIN PCB BR B(OPP)
30	MD3300822	PAN HEAD SCREW+SW+WS
31	R08629040	CONT PCB ASSY -LF
32	R08631001	MOTOR DRIVER PCB ASSY -LF
33	P17085000	VOLUME COVER
34	MA2400628	BIND HEAD SCREW
35	R05972030	CLOSE COVER C(STD)SET
36	R07923030	CLOSE COVER C(OPP)SET
37	P11135000	COVER(EXT)
38	P15944020	GUIDE RAIL
39	MH1300825	FLAT HEAD P TIGHT SCREW
40	K00050000	POWER UNIT-LF
41	P18026010	FILTER
42	R07582030	CLOSE COVER B(STD)SET
43	R07922030	CLOSE COVER B(OPP)SET
44	P11523000	WIRE SADDLE
45	K00199000	FAN MOTOR
46	MD4303022	PAN HEAD SCREW+SW+WL
47	P20228000	FAN PLATE
48	R04936010	EXT-14 PCB ASSY-2(SR/GT)-LF
50	R08698030	INLET CABLE SET -LF
54	MA1300622	FLAT HEAD SCREW
55	R08703010	MDRV - POWER CABLE SET -LF
56	R09816000	DUMMY COVER OPEN CABLE SET -LF

9001162 Rev. B

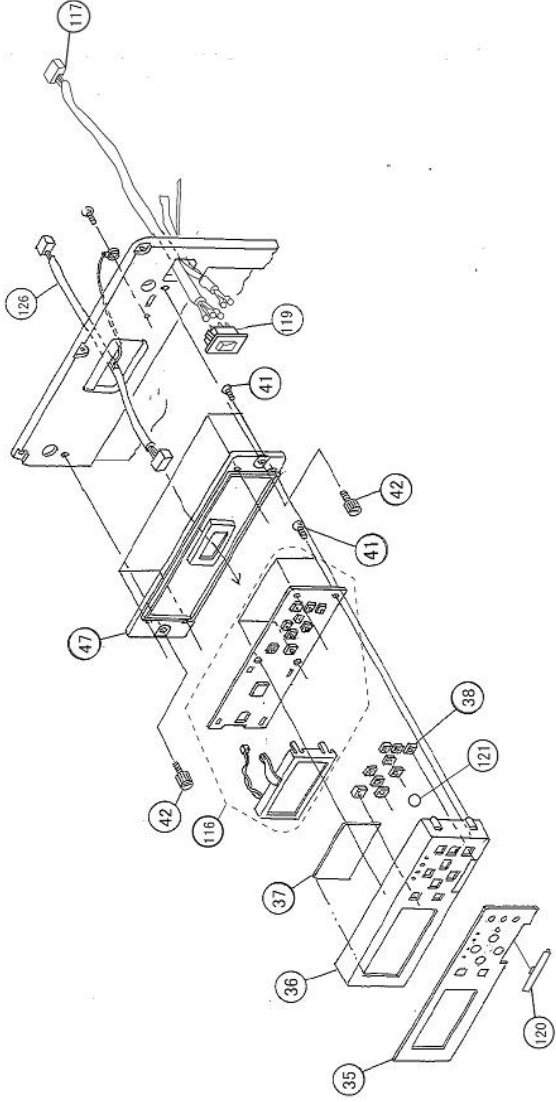
No.	Part Number	Description
57	R08706010	SENSOR CABLE SET -STD -LF
58	R08701001	MDRV CABLE SET -STD -LF
59	R08699020	DC POWER CABLE SET -STD -LF
60	MD3401022	PAN HEAD SCREW+SW+WS
61	R08765010	SENSOR CABLE SET -OPP -LF
62	R08763001	MDRV CABLE SET -OPP -LF
63	R08761010	DC POWER CABLE SET -OPP -LF
102	P17827010	CABLE COVER(SUB)
104	MA7300625	TRUSS SCREW
105	PE6730300	SPRING CASE(A)
106	PB0013700	HEXAGON HEAD BOLT
107	PE6730400	SPRING CASE(B)
108	MT3020621	HEX NUT
109	R08036010	TOP OPEN COVER STD
110	P14038000	WINDOW
111	M16626000	FLAT PUSH NUT
112	MD3201022	PAN HEAD SCREW+SW+WS
113	R08970010	COVER OPEN CABLE SET -LF
114	R08037010	TOP OPEN COVER OPP
115	R08006010	TOP COVER(SUB) STD
116	R08007010	TOP COVER(SUB) OPP
117	R08630000	S-CF PCB ASSY -LF
118	QA0773800	PROTECTOR(I/F)
119	PC0090300	COVER SPRING

9001162 Rev. B



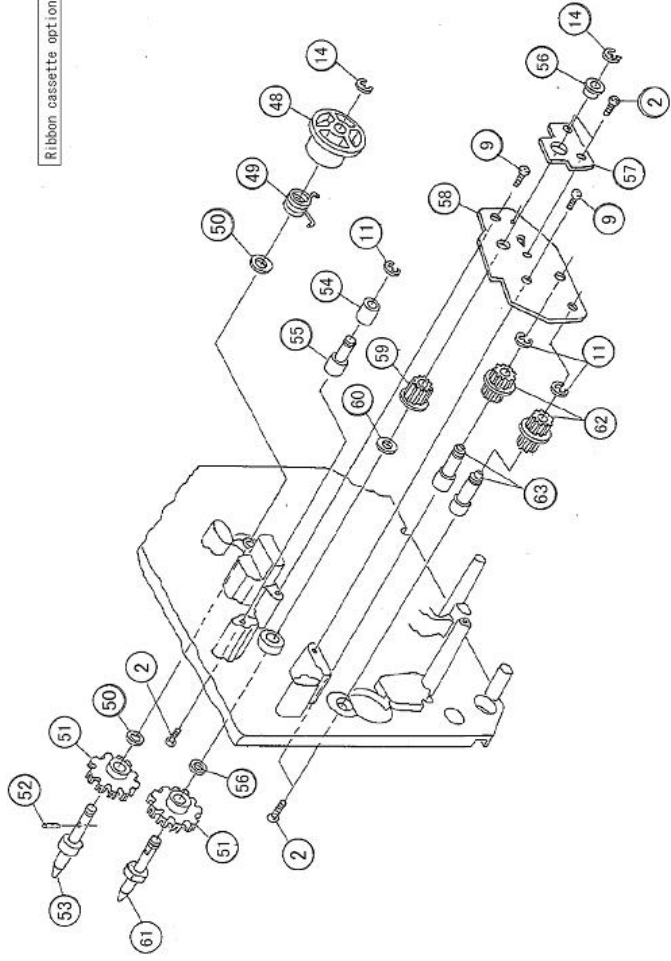
Engine Frame Assembly - 1.1
Main Plate - Front

9001162 Rev. B



**Engine Frame Assembly - 1.2
LCD/Keypad**

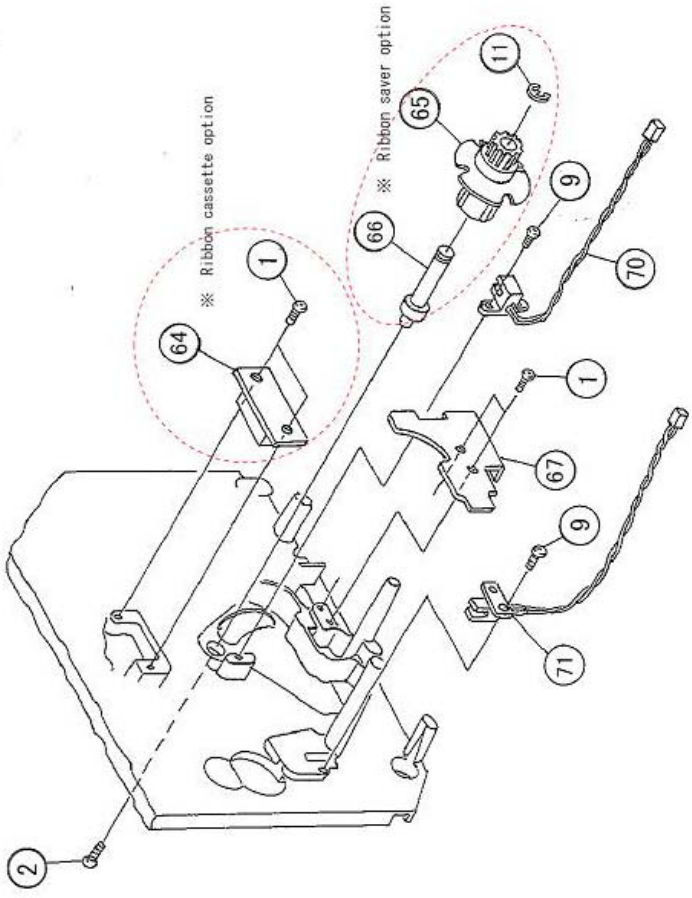
9001162 Rev. B



Ribbon cassette option

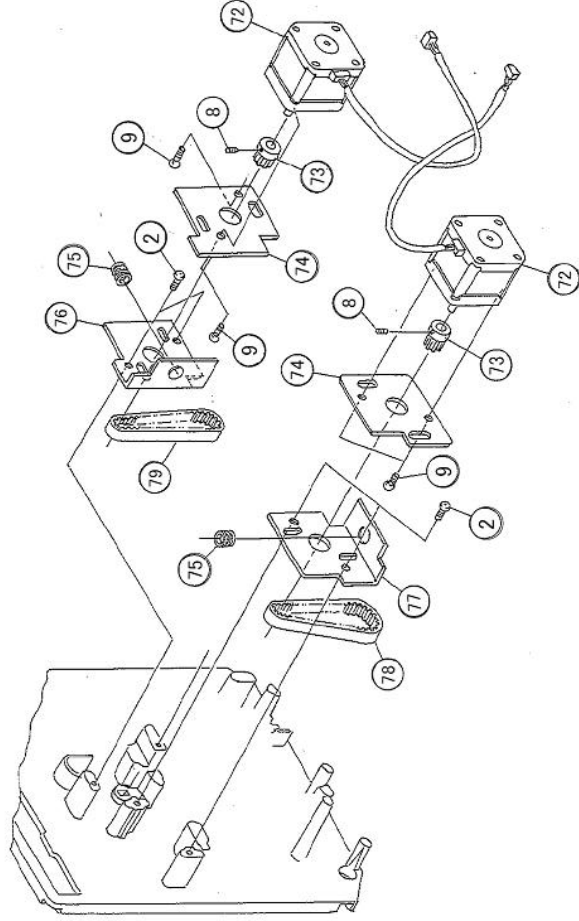
Engine Frame Assembly - 2

9001162 Rev. B



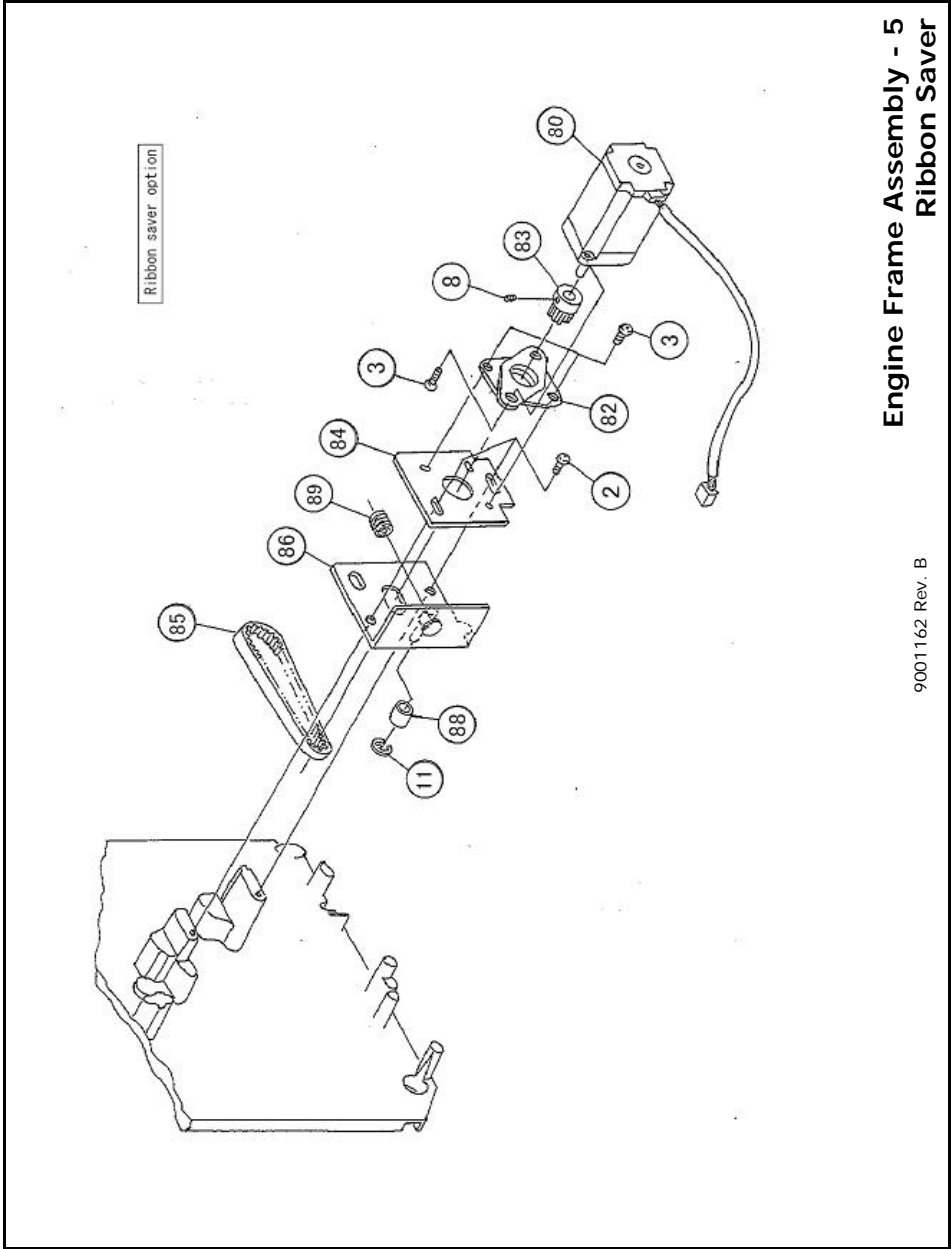
Engine Frame Assembly - 3

9001162 Rev. B



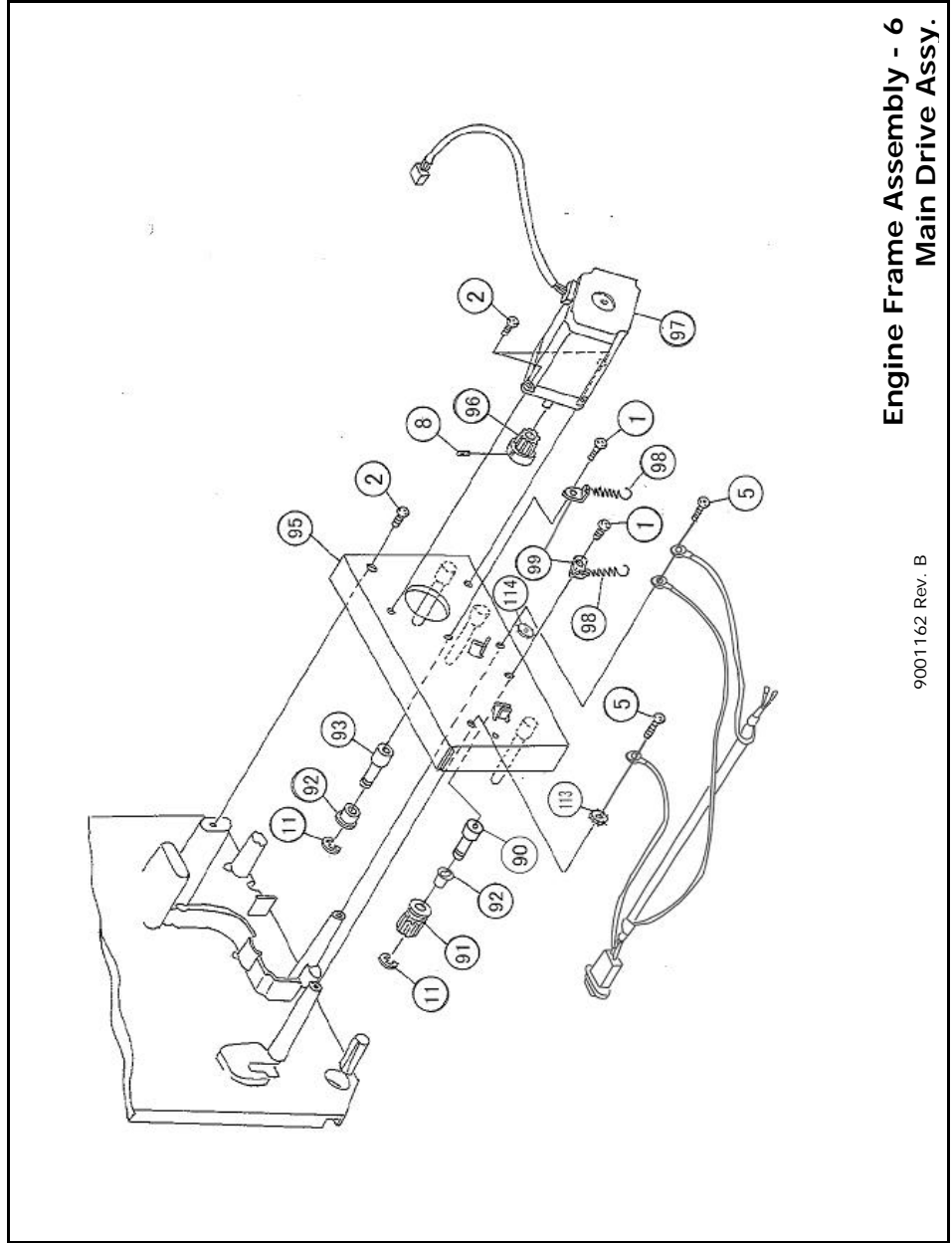
Engine Frame Assembly - 4 Ribbon Drive

9001162 Rev. B



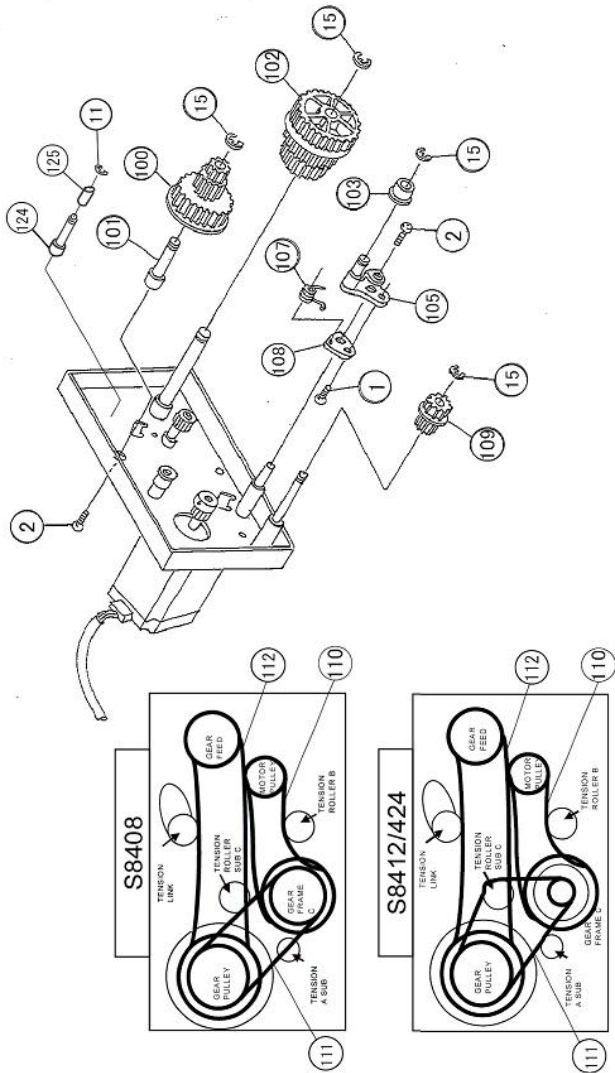
**Engine Frame Assembly - 5
Ribbon Saver**

9001162 Rev. B



**Engine Frame Assembly - 6
Main Drive Assy.**

9001162 Rev. B



Engine Frame Assembly - 7 Main Drive Assy-Gears

9001162 Rev. B

No.	Part Number	Description
1	MD4300822	PAN HEAD SCREW+SW+WL
2	M16259000	PAN HEAD SCREW+SW+WL
3	MA2400628	BIND HEAD SCREW
5	MD3401022	PAN HEAD SCREW+SW+WS
8	MJ1400528	HEX SOCKET SET SCREW
9	MD3300622	PAN HEAD SCREW+SW+WS
11	ND0040022	E RING
14	ND0060030	E RING
15	ND0040022	E RING
20	P13672020	ENGINE FRAME(STD)
21	P17093020	ENGINE FRAME(OPP)
23	R08709000	RIBBON REWINDER SONSOR CABLE SET -LF
24	R08710000	RIBBON SUPPLY SENSOR CABLE SET -LF
25	PA0730300	WASHER (4.2*14*1)
26	P13808011	SHAFT(FRAME A)
27	P13821000	SHAFT(SLIT GEAR)
28	P13907000	SLIT GEAR(18)
29	P13793010	SPRING(LABEL GUIDE)
30	P15927020	LABEL GUIDE
31	P13803010	SHAFT(LABEL GUIDE)
32	P17094010	SHAFT(FRAME)
33	P13703000	STAY(FRAME)
34	F00177000	PHOTO INTERRUPTER -LF
35	P14036000	PROTECT SHEET
36	R07309000	PANEL COVER SET
37	P14037010	LCD PROTECTOR
38	P16768000	SPACER(PANEL SWITCH)
41	MH0300822	PAN HEAD P TIGHT SCREW
42	P13748010	SCREW(PANEL)
47	P15942000	PANEL BASE
48	P17039000	BF STOPPER
49	P17059010	SPRING(BACK)
50	PT2108003	FLANGE BUSH
51	P17038010	DRIVE GUIDE
52	NG2201630	PARALLEL PIN

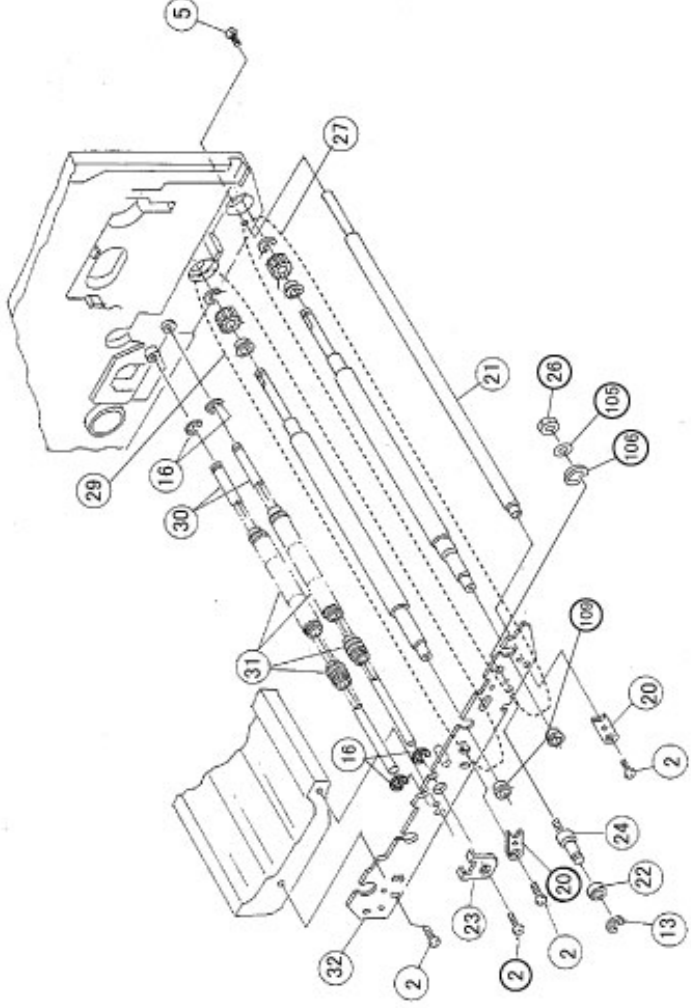
9001162 Rev. B

No.	Part Number	Description
53	P13823010	SHAFT(RIBBON UW)
54	P17518000	DRY METAL
55	P13890000	SHAFT(TENSION ROLLER)
56	PT1114080	BALL BEARING
57	P17737000	BEARING HOLDER
58	P17021000	PULLEY FRAME
59	R07786000	RW PULLEY L
60	PT9740300	POLY SLIDER
61	P13824010	SHAFT(RIBBON RW)
62	P13908000	GEAR PULLEY(20/48)
63	P13822000	SHAFT(GEAR PULLEY)
64	P17472000	MAGNET CATCH
65	R08086020	CAM PULLEY SET
66	P13825000	SHAFT(CAM)
67	P17394000	CABLE COVER(STD)
68	P17805000	CABLE COVER(OPP)
70	R08707000	HEAD UP SENSOR CABLE SET -LF
71	R08708000	HEAD OPEN SENSOR CABLE SET -LF
72	K00171010	STEPPING MOTOR
73	P13985000	MOTOR PULLEY(S2M 16)
74	P17019000	MOTOR PLATE(RIBBON)
75	P17057000	SPRING(RIBBON MOTOR)
76	P17020000	MOTOR BR(RIBBON)(STD)
77	P17064000	MOTOR BR(RIBBON)(OPP)
78	PU3256060	MINI PITCH BELT
79	P17886000	TIMING BELT
80	K00213000	STEPPING MOTOR
82	P02525000	RUBBER DAMPER
83	P11157001	MO PULLEY
84	P17025000	MOTOR PLATE
85	P17991000	TIMING BELT
86	R07576000	MOTOR BR(SAVER) SET (STD)
87	R07583000	MOTOR BR(SAVER) SET (OPP)
88	P17518000	DRY METAL
89	P17058000	SPRING(SAVER MOTOR)
90	P17400020	SHAFT(TENSION D)

9001162 Rev. B

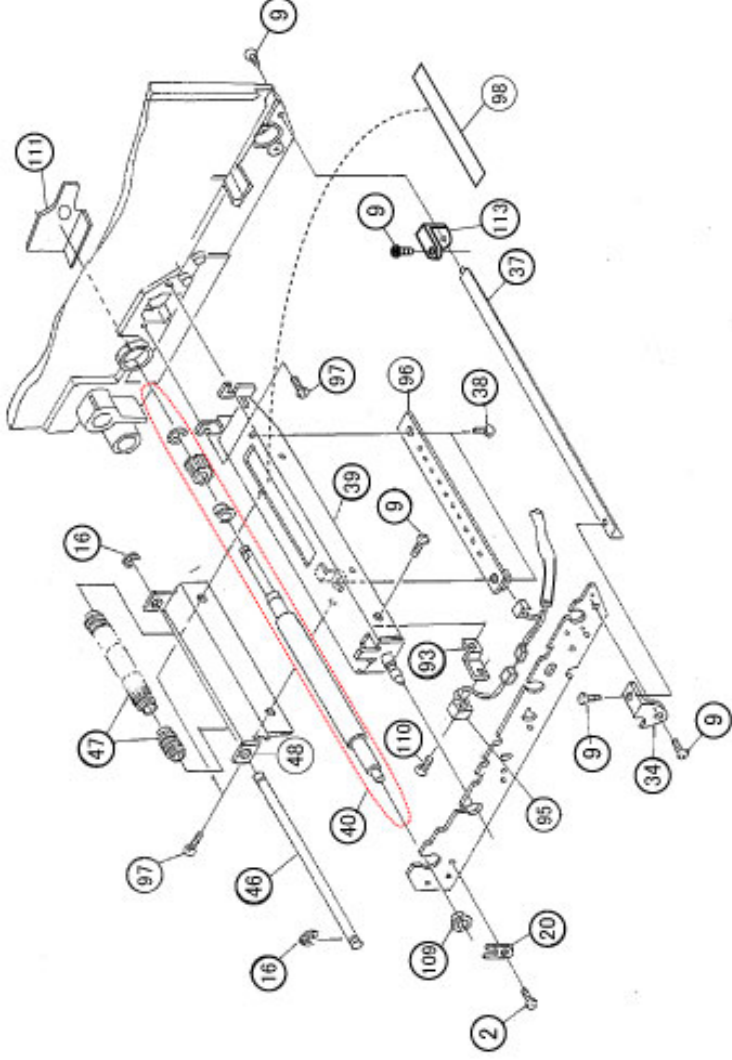
No.	Part Number	Description
91	P18956000	PULLEY(S2M 24)
92	P13863000	TENSION ROLLER
93	P17401010	SHAFT(TENSION C)
94	R07926010	GEAR FRAME(OPP) SET
95	R07587010	GEAR FRAME(STD) SET
96	P11157001	MO PULLEY
97	K00173000	STEPPING MOTOR
98	P17402000	SPRING(BELT TENSION)
99	P17398000	TENSION BR B
100	P17067000	PULLEY(18/27/60)
101	P17073000	SHAFT(GEAR FRAME C)
102	P17069010	GEAR PULLEY(52/57/64)
103	P13863000	TENSION ROLLER
104	R07927000	TENSION PLATE(OPP)SET
105	R07588000	TENSION PLATE(STD)SET
106	P17810010	SPRING(TENSION)(OPP)
107	P17102010	SPRING(TENSION)(STD)
108	P17280000	TENSION LINK
109	P17070010	GEAR(FEED)
110	P23325000	TIMING BELT
111	P23324000	TIMING BELT
112	P23326000	TIMING BELT
113	NB2040022	TOOTHED LOCK WASHER
114	NB2030022	TOOTHED LOCK WASHER
116	R07452010	S-KB PCB SUB ASSY -LF
117	R08697010	AC LINE CABLE SET -LF
119	G00209000	ROCKER SWITCH -LF
120	P21580000	VOLUM COVER
121	P18934000	PCB PROTECTOR
122	P17411010	DISPENSE GUIDE B(STD)
123	P17803010	DISPENSE GUIDE B(OPP)
124	P17169000	SHAFT(TENSION A)
125	P17518000	DRY METAL
126	R08700021	KB CABLE SET -STD -LF
127	R08762021	KB CABLE SET -OPP -LF

9001162 Rev. B



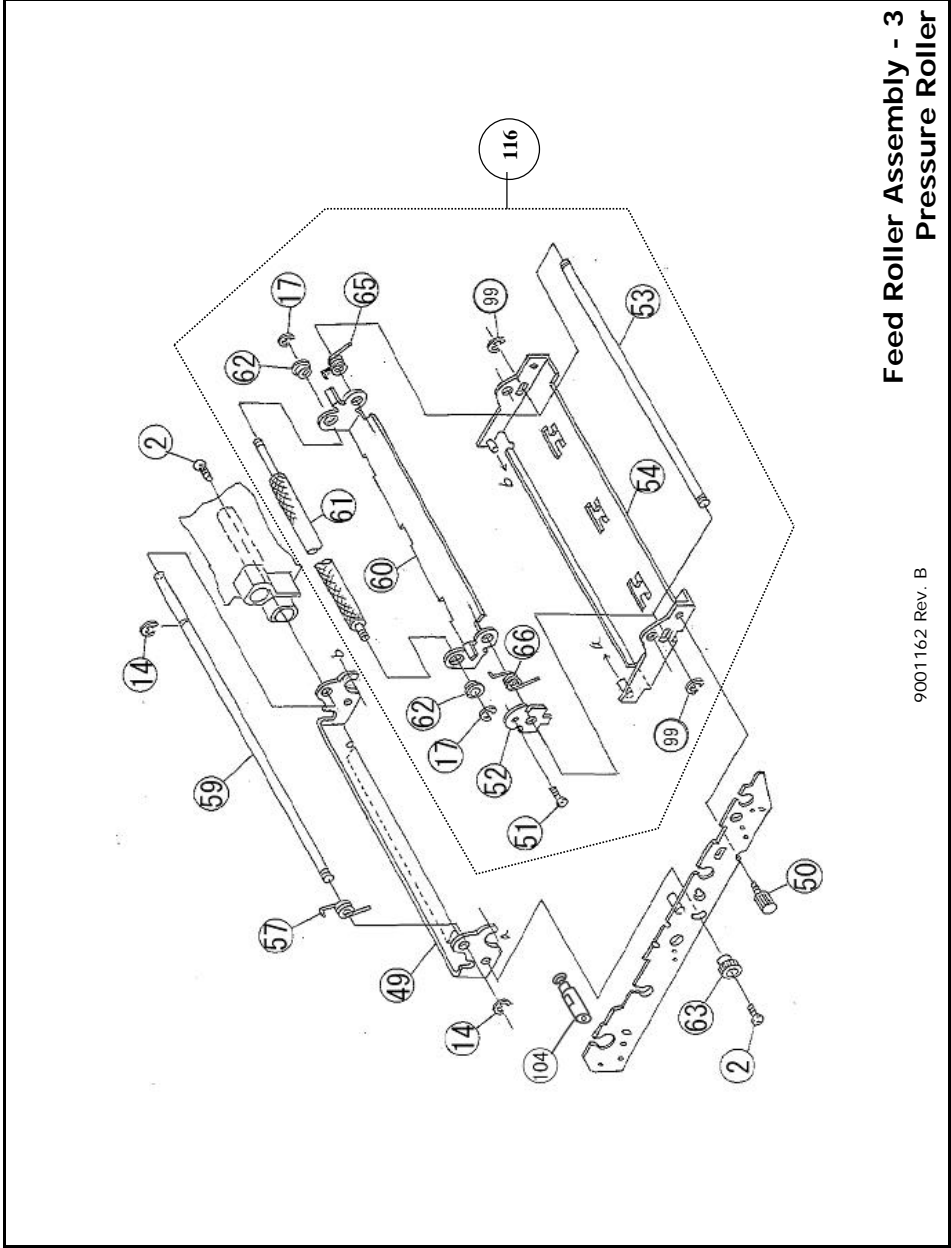
Feed Roller Assembly - 1

9001162 Rev. B



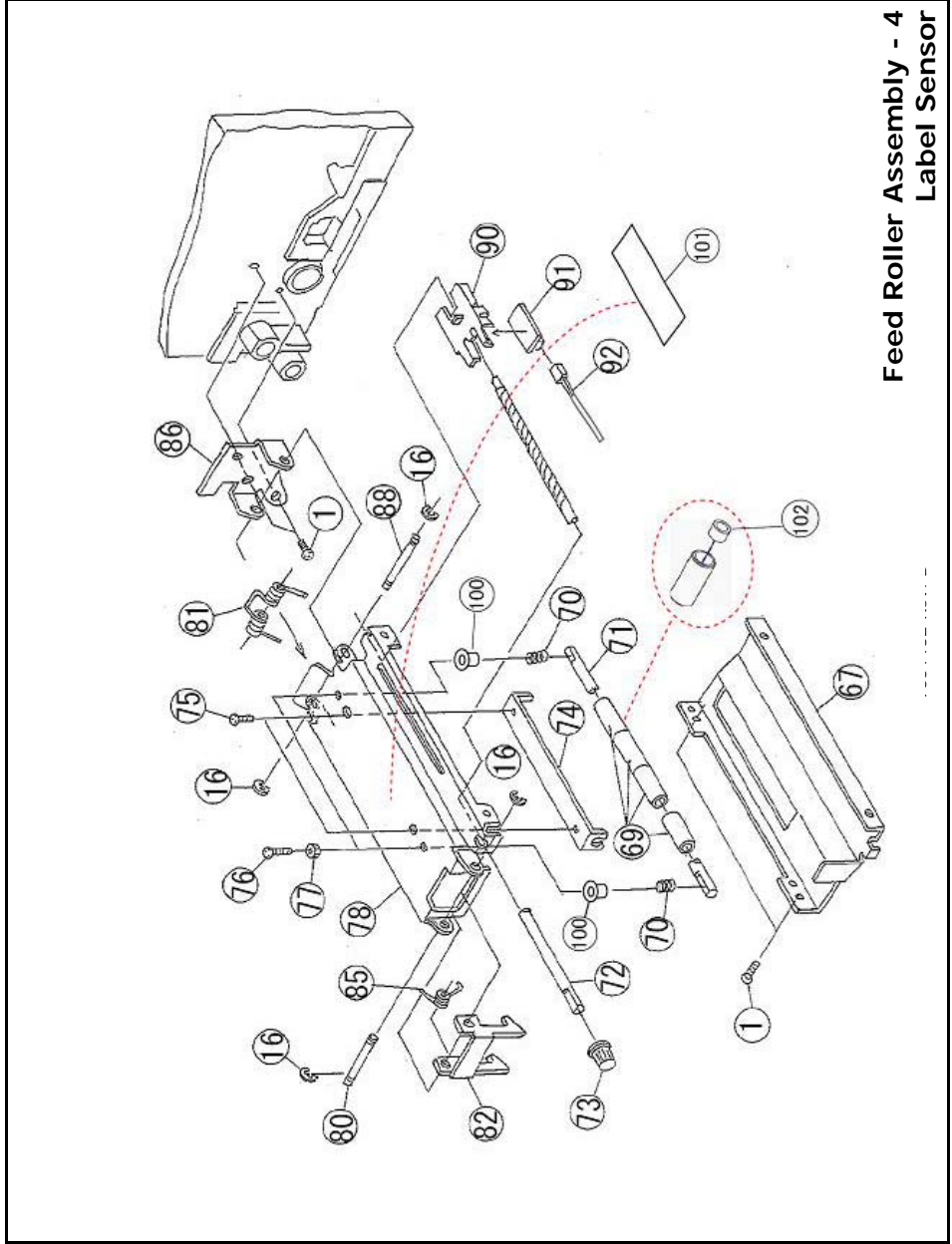
Feed Roller Assembly - 2

9001162 Rev. B



**Feed Roller Assembly - 3
Pressure Roller**

9001162 Rev. B



**Feed Roller Assembly - 4
Label Sensor**

No.	Part Number	Description
1	MD4300822	PAN HEAD SCREW+SW+WL
2	M16259000	PAN HEAD SCREW+SW+WL
5	MD3401022	PAN HEAD SCREW+SW+WS
9	MD3300622	PAN HEAD SCREW+SW+WS
13	ND0030022	E RING 3
14	ND0060030	E RING
16	ND0020030	E SNAP RING
17	ND0025030	E SNAP RING
20	P16092000	BEARING CLAMP
21	P13802000	SHAFT(FEED)
22	P16645000	COLLAR(5.1*7*8)
23	P13725000	ROLLER GUIDE
24	P13894010	PIN(SIDE FRAME)
26	MT1400722	HEX NUT
27	R07586020	ROLLER SUB
29	R07717020	ROLLER(PRESSURE)SUB
30	P13804000	SHAFT(SUB ROLLER)
31	PE1A20000	DEMAND ROLLER(B)
32	R07577020	SIDE FRAME(STD) SET
33	R07924020	SIDE FRAME(OPP) SET
34	P17013010	DISPENSE GUIDE(STD)
35	P17802010	DISPENSE GUIDE(OPP)
36	MD4300622	PAN HEAD SCREW+SW+WL
37	P17053000	DISPENSE BAR
38	MD3200622	PAN HEAD SCREW+SW+WS
39	R09981000	PITCH SENSOR BR SET
40	R09121000	FEED ROLLER SUB
46	P22215000	SHAFT(GUIDE ROLLER)
47	PE3720500	ROLLER (6.1*9*6)
48	P22219000	GUIDE ROLLER HOLDER
49	P17012000	PRESSURE LEVER
50	P13740010	KNOB(PRESSURE ROLLER)
51	MD3250622	PAN HEAD SCREW+SW+WS
52	P17097000	PRESSURE ADJUST
53	P17035000	SHAFT(PRESSURE B)
54	R07578010	PRESSURE BASE(STD)SET

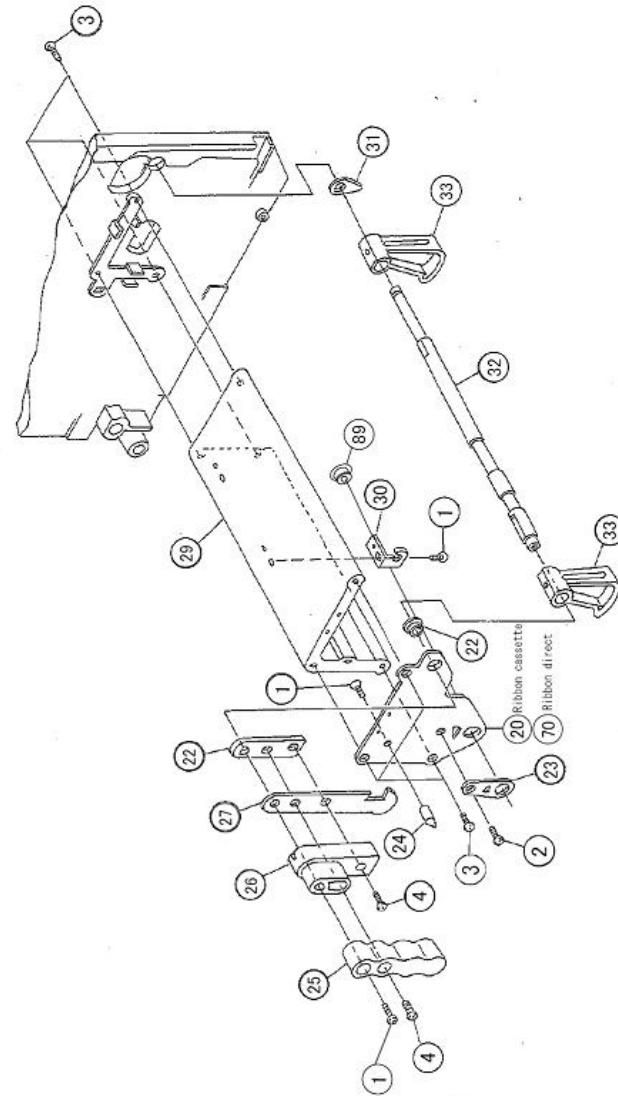
9001162 Rev. B

No.	Part Number	Description
55	R07925010	PRESSURE BASE(OPP)SET
57	P20718000	SPRING(LOCK LEVER)STD
58	P20719000	SPRING(LOCK LEVER)OPP
59	P17034000	SHAFT(PRESSURE)
60	P17010000	PRESSURE PLATE
61	P17033000	PRESSUE ROLLER
62	P17487000	BALL BEARING
63	P15937010	KNOB(HEAD SLIDE)
65	P19736010	SPRING(PRESSURE)A
66	P19737010	SPRING(PRESSURE)B
67	P22212010	SENSOR COVER(STD)
68	P22213010	SENSOR COVER(OPP)
69	R00603000	ROLLER(6.1*12*26)
70	P22221000	SPRING(ROLLER BR)
71	P22217000	SHAFT(ROLLER BR)
72	P22216020	SCREW SHAFT(SENSOR)
73	P15930020	KNOB(GAP SENSOR)
74	P22223001	ROLLER BRACKET
75	MD3200622	PAN HEAD SCREW+SW+WS
76	MA0301022	PAN HEAD SCREW
77	MT1300522	HEXAGON NUT
78	P22209000	FEED BRACKET(STD)
79	P22210010	FEED BRACKET(OPP)
80	P17434010	SHAFT(HINGE)
81	P22214000	SPRING(FEED BR)
82	P17104010	HOOK(STD)
83	P17581010	HOOK(OPP)
84	P17811000	SPRING(HOOK)(OPP)
85	P17107000	SPRING(HOOK)(STD)
86	P17106000	HINGE(FEED BR)(STD)
87	P17808000	HINGE(FEED BR)(OPP)
88	P17105000	SHAFT(FEED BR)
90	P22218010	SENSOR HOLDER
91	R10197000	S-IMGAP-A-PCB SET -LF
92	R08706010	SENSOR CABLE SET -LF
93	P22225000	SWITCH BRACKET

9001162 Rev. B

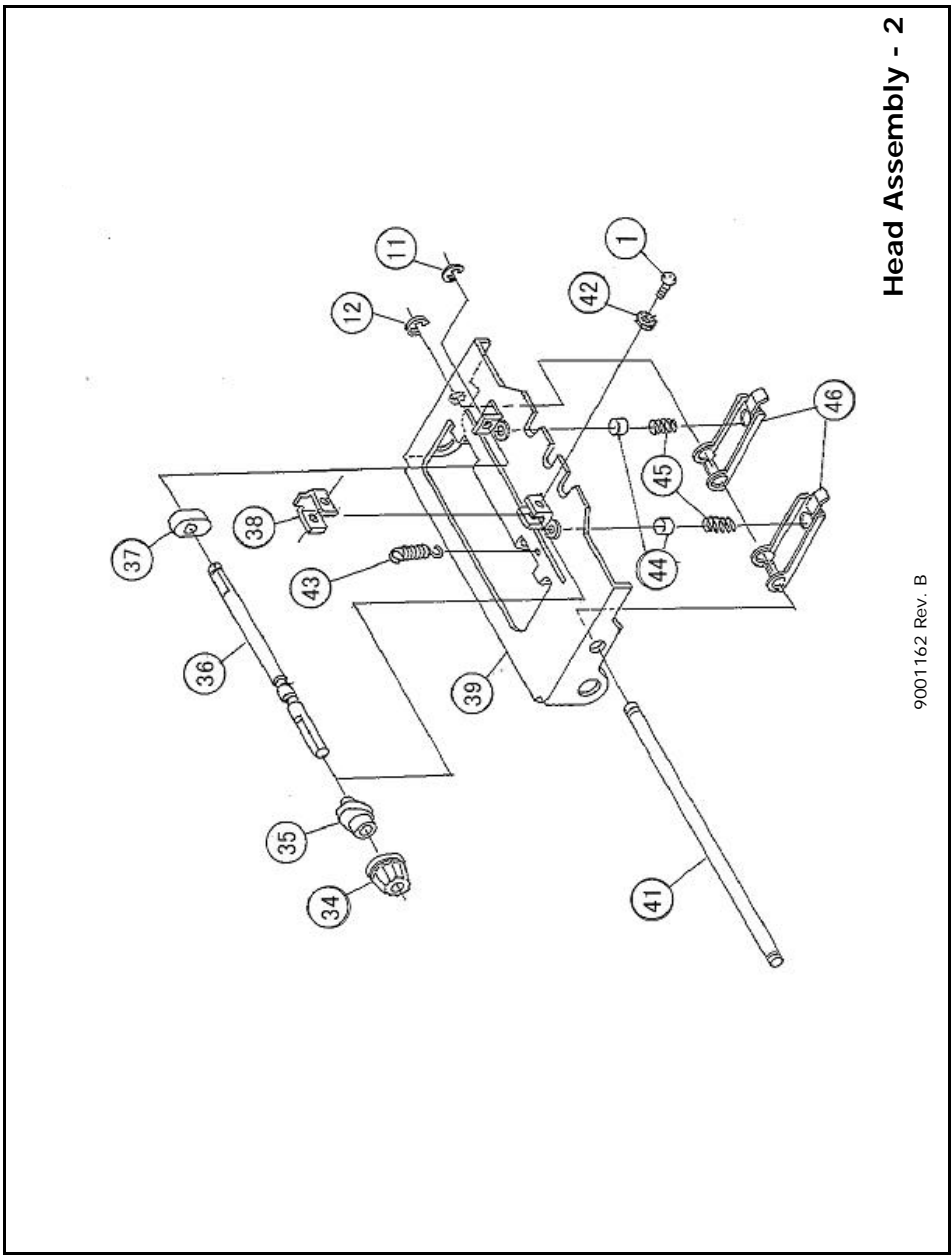
No.	Part Number	Description
95	R09530000	LID LATCH SENSOR CABLE SET -LF
96	R10198020	S-IMGAP-B-PCB SET -LF
97	MA2300622	BIND HEAD SCREW
98	P22454000	PROTECT SHEET
99	ND0025030	E SNAP RING
100	PE2730300	STOPPER COLLAR
101	O01765000	STICKER(FEED)
102	PE3720500	ROLLER (6.1*9*6)
104	P17466000	SHAFT(PRESSURE LEVER)
109	P17491000	Ball Bearing
116	R12259000	Pressure Roller Assembly

9001162 Rev. B



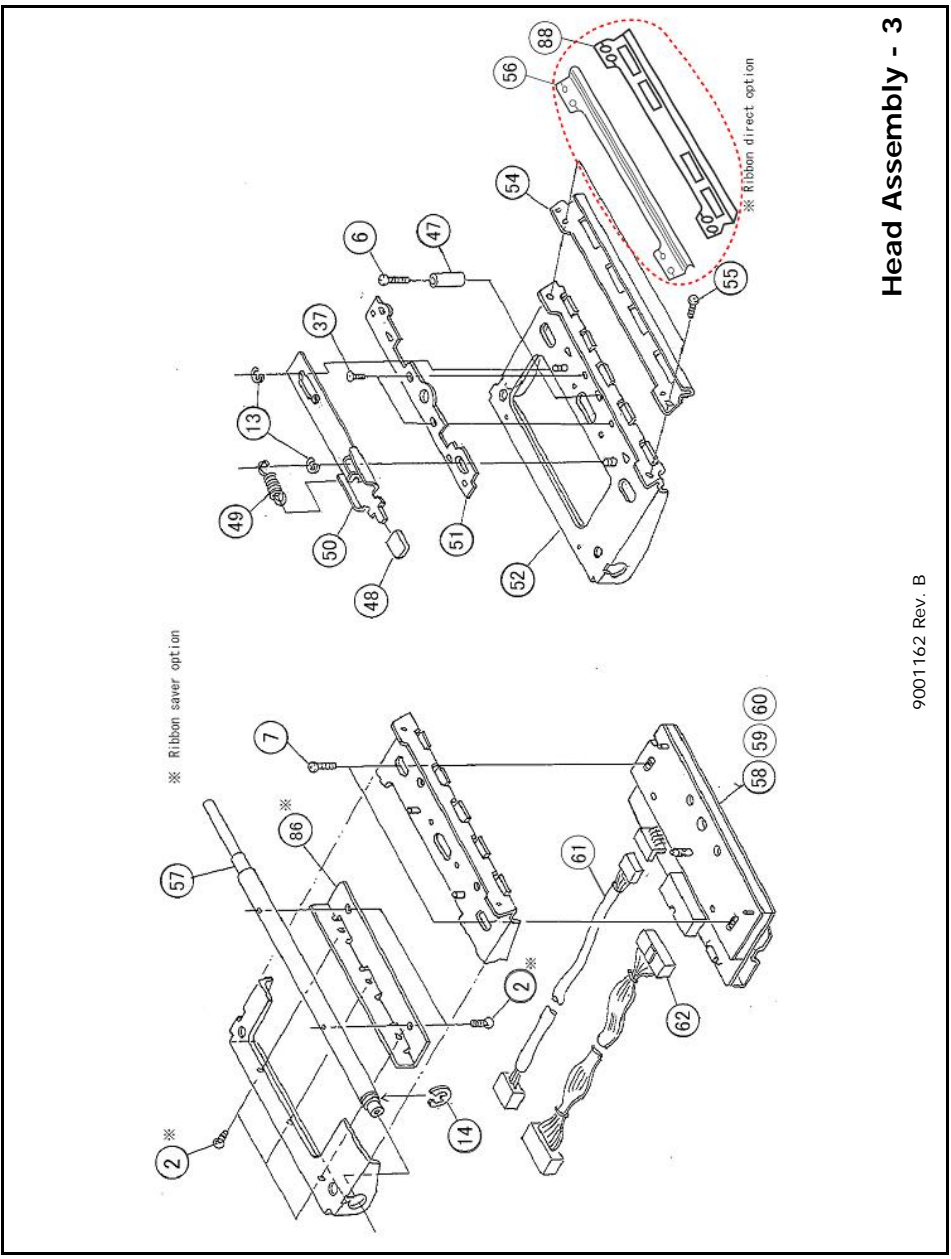
Head Assembly - 1

9001162 Rev. B



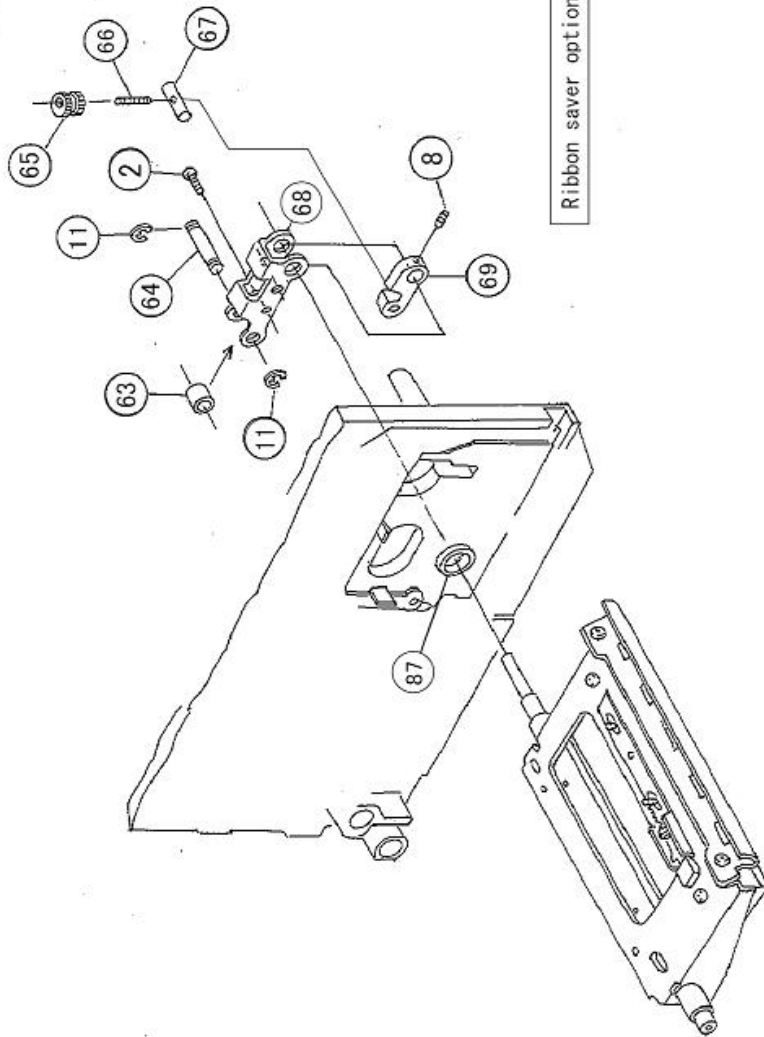
Head Assembly - 2

9001162 Rev. B



Head Assembly - 3

9001162 Rev. B



Head Assembly - 4

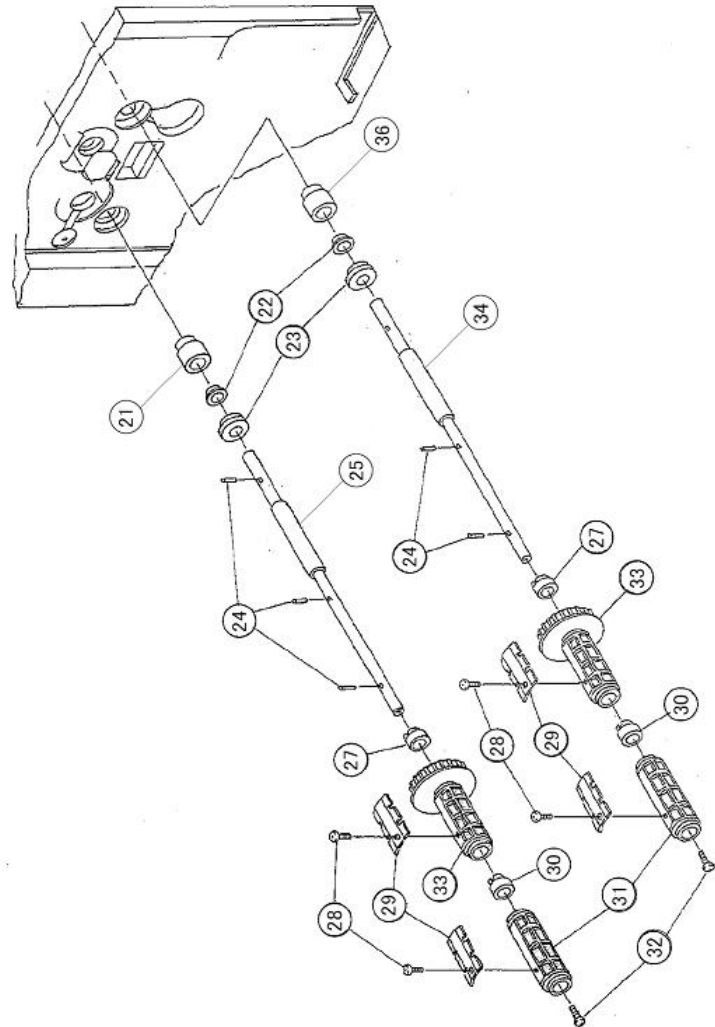
9001162 Rev. B

No.	Part Number	Description
1	MD4300822	PAN HEAD SCREW+SW+WL
2	M16259000	PAN HEAD SCREW+SW+WL
3	MA2400628	BIND HEAD SCREW
4	MD4301228	PAN HEAD SCREW+SW+WL
5	MD3401022	PAN HEAD SCREW+SW+WS
6	MD4302022	PAN HEAD SCREW+SW+WL
7	MA2300429	BIND HEAD SCREW
8	MJ1400528	HEX SOCKET SET SCREW
11	ND0040022	E RING
12	ND0030022	E RING 3
13	ND0030022	E RING 3
14	ND0060030	E RING
20	P13719020	SIDE PLATE
21	P20231020	SIDE PLATE
22	P17468000	DRY METAL
23	P17096000	ADJUST PLATE
24	P18844001	SHAFT(SIDE PLATE)
25	P17758000	HEAD LOCK LEVER
26	P17436000	HEAD LOCK COVER
27	P17139000	LOCK PLATE
28	P18020010	HEAD LOCK HANDLE
29	P13705000	STAY(HEAD)
30	P17095000	SPRING BR
31	P17026000	SENSOR ARM
32	P17037010	SHAFT(HEAD CAM)
33	P17052000	PRESSURE CAM
34	P17124010	KNOB(HEAD PRESSURE)
35	P17123000	HEAD PRESSURE B
36	P17121020	SHAFT(HEAD PRESSURE)
37	P17122000	HEAD PRESSURE A
38	P17119010	PRESSURE ADJUST(HEAD)
39	R07589010	HEAD TOP BR(STD)SET
40	R07590010	HEAD TOP BR(OPP)SET
41	P17130000	SHAFT(ARM)
42	NB2030022	TOOTHED LOCK WASHER
43	P14089000	SPRING(HEAD OPEN)

9001162 Rev. B

No.	Part Number	Description
44	P17118000	SPRING CAP
45	P17137000	SPRING(HEAD)
46	P17532000	PRESSURE ARM
47	P17136000	COLLAR(HEAD BR)
48	P17368010	LEVER CAP
49	P17132010	SPRING(RELEASE)
50	P17131010	RELEASE LEVER
51	P17126010	ADJUST PLATE(HEAD)
52	R07718030	HEAD BR(STD) SET
53	R07928030	HEAD BR(OPP) SET
54	P13989010	RIBBON PLATE
55	MA2300622	BIND HEAD SCREW
56	P18807000	RIBBON AJ PLATE(SUB)
57	P13826000	SHAFT(HEAD)
58	R08081010	HEAD SUB ASSY(8)
59	R08082010	HEAD SUB ASSY(12)
60	R08083020	HEAD SUB ASSY(24)
61	R08705020	HEAD POWER CABLE SET -LF
62	R08704030	HEAD SIGNAL CABLE SET -STD -LF
63	R07600000	ROLLER(LEVER)
64	P17148000	SHAFT(LEVER ROLLER)
65	P17821000	KNOB(ADJUSTER)
66	MJ1301228	HEX SOCKET HEAD CAP SCREW(W POINT)
67	P17962000	SHAFT(ADJUSTER)
68	P17023010	SAVER LEVER
69	P17055010	ADJUSTER
70	P17923010	SIDE PLATE(SUB)
71	P19979010	SIDE PLATE(SUB)
72	R08764020	HEAD SIGNAL CABLE SET -OPP -LF
86	P17022020	HEAD SHAFT BR
87	P24423000	FLANGE BUSH
88	P24646000	RIBBON PLATE(RD)
89	P24424000	FLANGE BUSH B

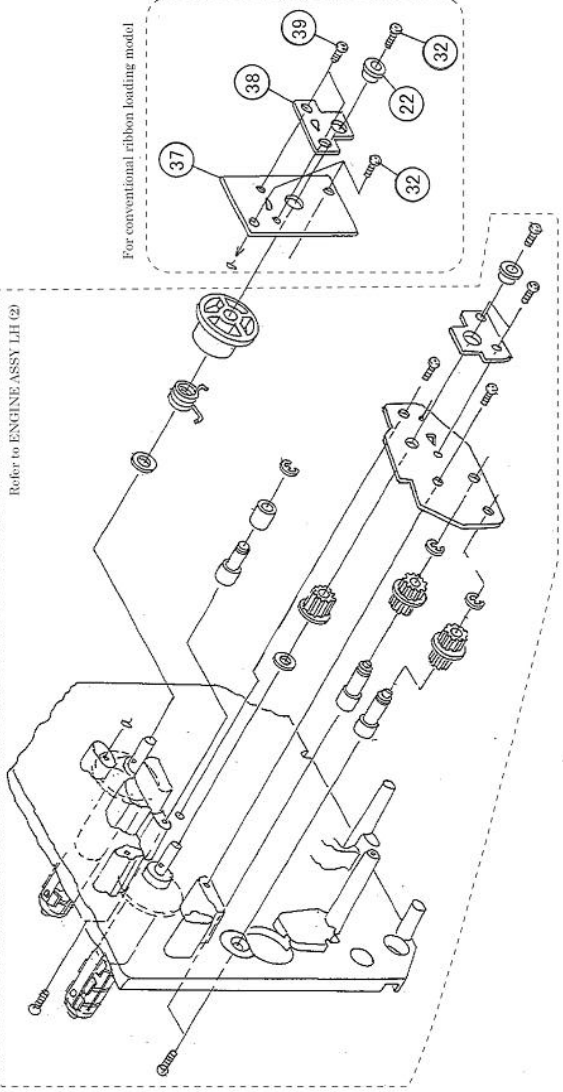
9001162 Rev. B



Ribbon Direct Assembly - 1

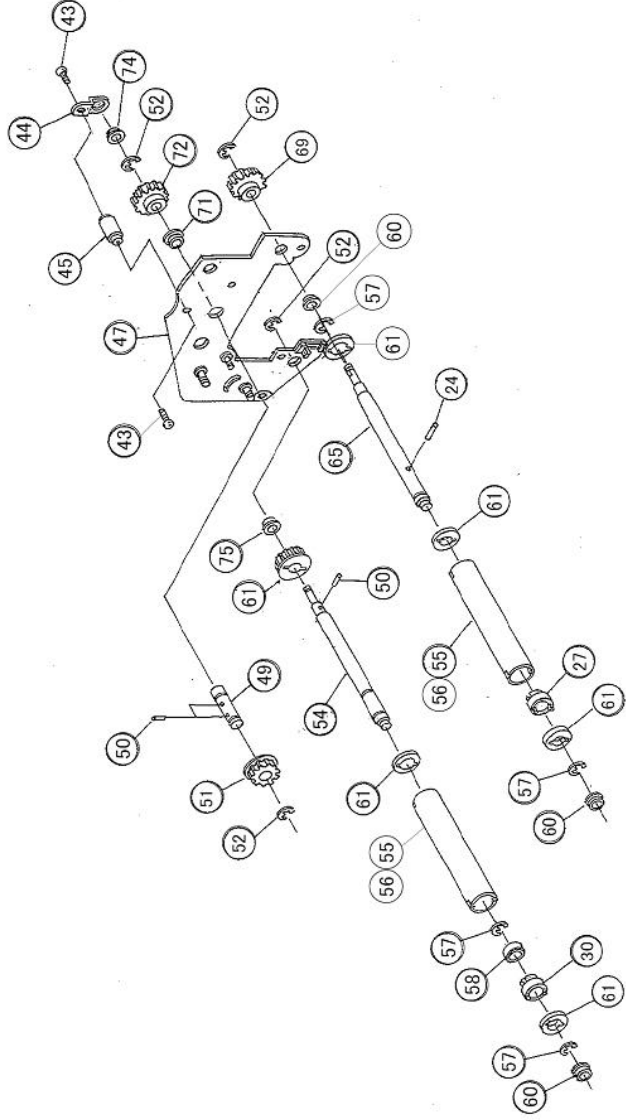
9001162 Rev. B

Refer to ENGINE ASSY LH (2)



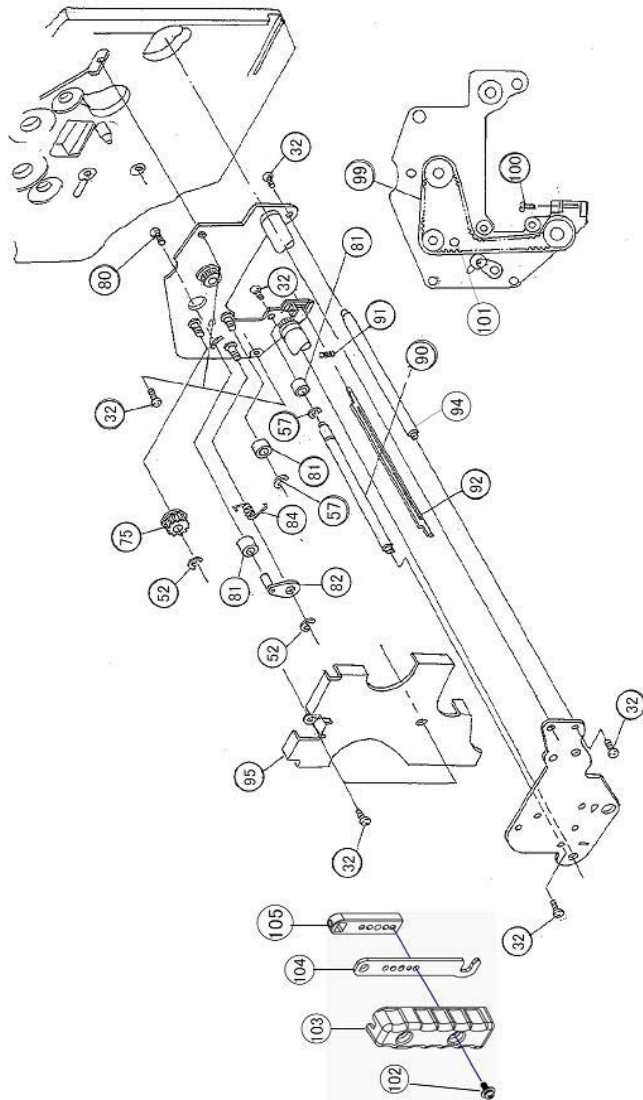
Ribbon Direct Assembly - 2

9001162 Rev. B



Ribbon Direct Assembly - 3

9001162 Rev. B



Ribbon Direct Assembly - 4

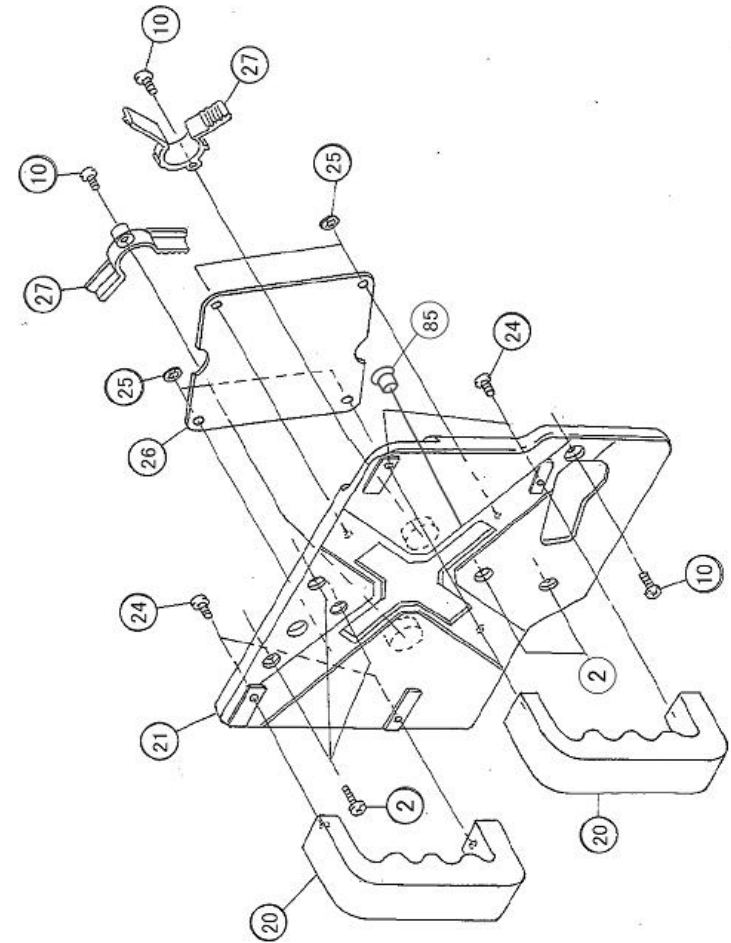
9001162 Rev. B

No.	Part Number	Description
21	P18754000	SHAFT(BOSS GUIDE UW)
22	PT1114080	BALL BEARING
23	P17947000	COLLAR(BOSS)
24	NG2201630	PARALLEL PIN
25	P17945010	SHAFT(BOSS UW)
27	P08554000	TORQUE LIMITER
28	MH0300522	PAN HEAD P TIGHT SCREW
29	P17016000	BOSS SPRING
30	P12267000	TORQUE LIMITER
31	P17050010	RIBBON BOSS
32	M16259000	PAN HEAD SCREW+SW+WL
33	P17049010	RIBBON BOSS(GEAR)
34	P17946010	SHAFT(BOSS RW)
36	P18755000	SHAFT(BOSS GUIDE RW)
37	P17950000	PLATE(RIBBON UW)
38	P17737000	BEARING HOLDER
39	MD3300622	PAN HEAD SCREW+SW+WS
43	MD4300825	PAN HEAD SCREW+SW+WL
44	P17413000	GEAR PLATE
45	P18788000	SHAFT(GEAR UW SUB)
47	R08449010	SUB BASE(STD)SET
48	R08499010	SUB BASE(OPP)SET
49	P13817010	SHAFT(GEAR UW)
50	NG2201230	STRAIGHT PIN
51	P18956000	PULLEY(S2M 24)
52	ND0040022	E RING
54	P17952010	SHAFT(ROLLER UW-RD)
55	P13815000	RIBBON ROLLER
56	P17888010	ROLLER SHEET
57	ND0060030	E RING
58	P11461000	ONEWAY CLUTCH
59	P14225000	ONEWAY CLUTCH
60	P17891000	GRITRON SE
61	P17044000	ROLLER BR
65	P17951020	SHAFT(ROLLER RW-RD)
69	P23465000	ROLLER GEAR(RW)

9001162 Rev. B

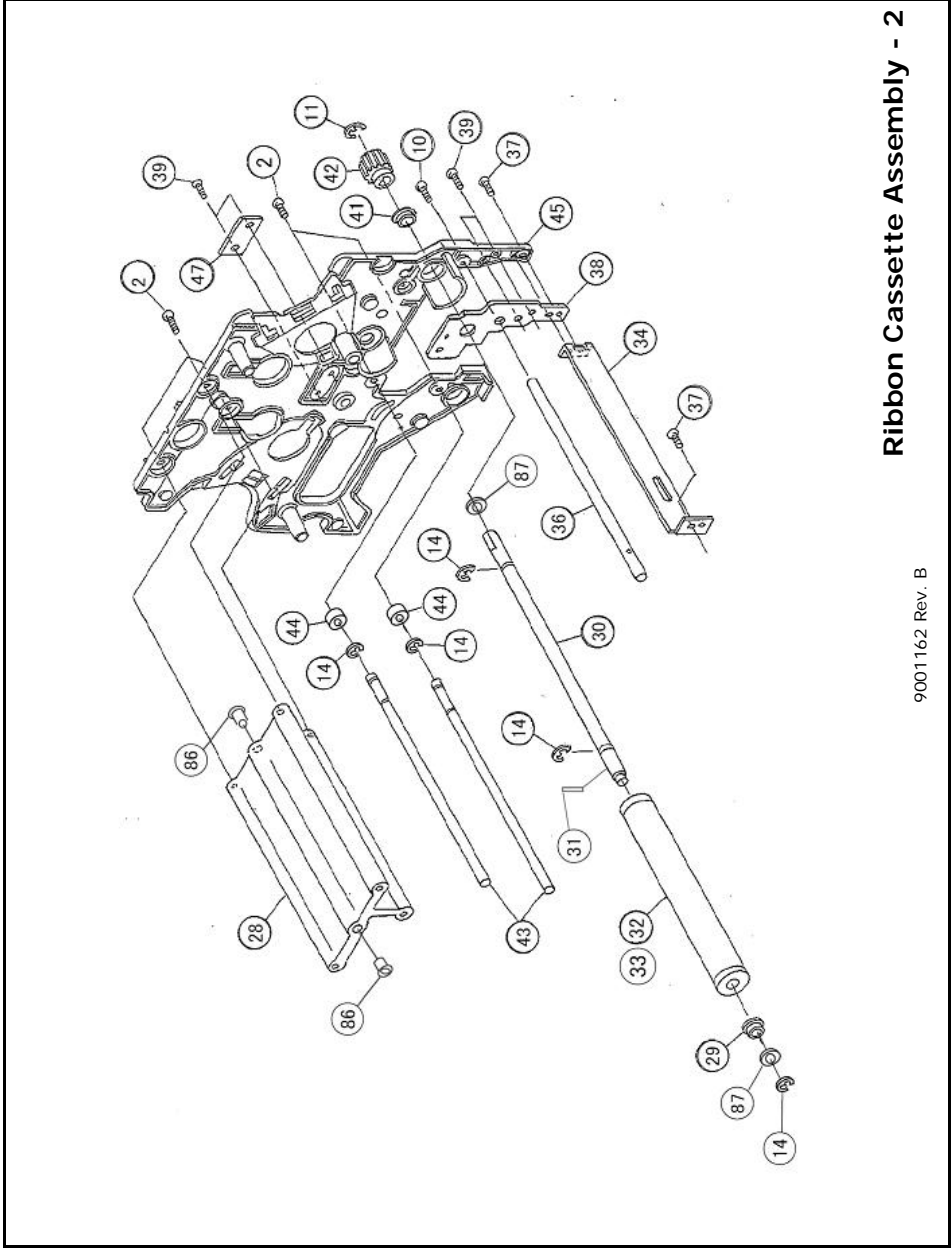
No.	Part Number	Description
71	PT2106030	OILESS BEARING
72	P13910010	ROLLER GEAR(20)
74	PT2103050	OILESS BEARING
75	P13911000	PULLEY(S2M 28)
80	MD4300822	PAN HEAD SCREW+SW+WL
81	P18887000	OILESS BEARING
82	R08448000	TENSIONER BR(SUB)SET
84	P17056010	SPRING(TENSIONER)
90	P18659000	SHAFT(RIBBON SUB)
91	P17061000	SPRING(RIBBON END)
92	P17926000	RIBBON END BAR(SUB)
94	P18820000	SHAFT(FRONT SUB)
95	P20539000	BELT COVER(STD)
96	P20540000	BELT COVER(OPP)
99	P19515000	TIMING BELT
100	MD3200428	PAN HEAD SCREW+SW+WS
101	MA2401028	BIND HEAD SCREW
102	MD4301228	PAN HEAD SCREW+SW+WL
103	P17932010	LOCK LEVER (SUB)
104	P17139000	LOCK PLATE
105	P18020010	HEAD LOCK HANDLE

9001162 Rev. B



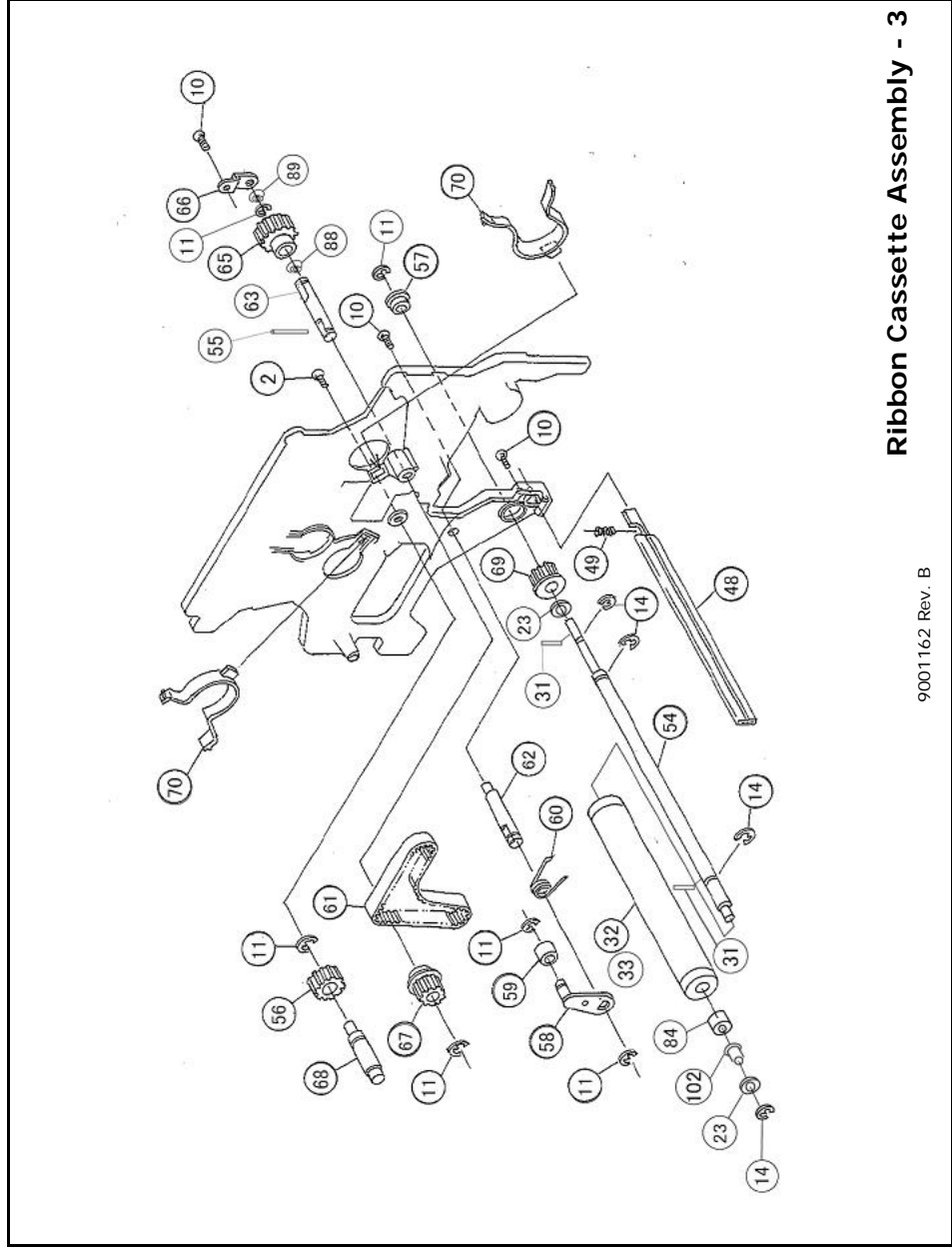
Ribbon Cassette Assembly - 1

9001162 Rev. B



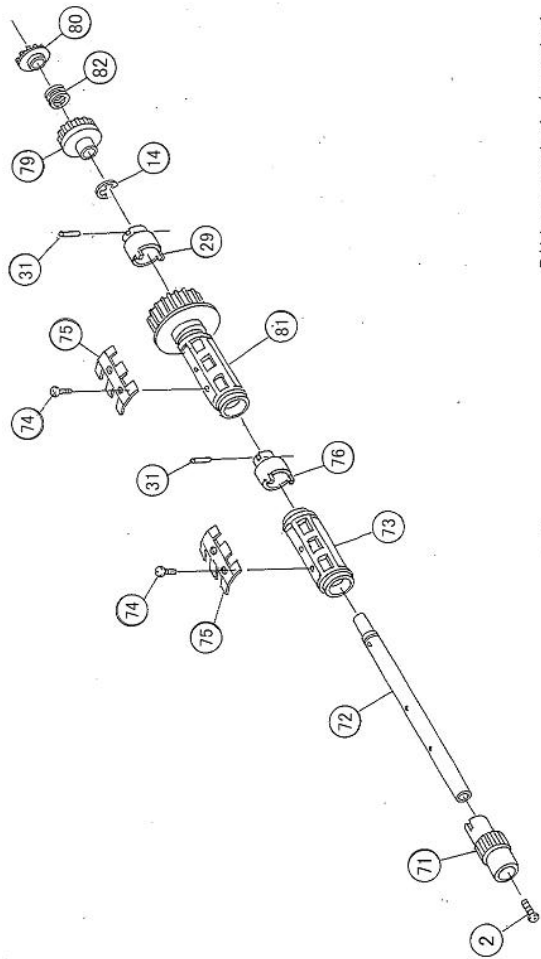
Ribbon Cassette Assembly - 2

9001162 Rev. B



Ribbon Cassette Assembly - 3

9001162 Rev. B



Ribbon rewind / unwind

Ribbon Cassette Assembly - 4 Ribbon Spindles

9001162 Rev. B

No.	Part Number	Description
2	M16259000	PAN HEAD SCREW+SW+WL
10	MD4300825	PAN HEAD SCREW+SW+WL
11	ND0060030	E RING
14	ND0060030	E RING
20	R07594000	HANDLE
21	P13689000	CASSETTE FRAME(STD)
22	P17812000	CASSETTE FRAME(OPP)
23	P17044000	ROLLER BR
24	MA2400628	BIND HEAD SCREW
25	M16263000	FLAT PUSH NUT
26	P17045000	WINDOW
27	P17040010	LEVER(RIBBON RELEASE)
28	P13708000	STAY(CASSETTE)
29	P08554000	TORQUE LIMITER
30	P13814020	SHAFT(ROLLER RW)
31	NG2201630	PARALLEL PIN
32	P17888010	ROLLER SHEET
33	P13815000	RIBBON ROLLER
34	P17015010	RIBBON PLATE(STD)
35	P17809010	RIBBON PLATE(OPP)
36	P13810000	SHAFT(ROLLER)
37	MA2300429	BIND HEAD SCREW
38	P17412011	CASSETTE SUB PLATE
39	MA1300622	FLAT HEAD SCREW
41	P17891000	GRITRON SE
42	P23465000	ROLLER GEAR(RW)
43	P13812000	SHAFT(CASSETTE)
44	P17557000	OILESS BEARING
45	P13690020	CASSETTE BASE(STD)
46	P17813020	CASSETTE BASE(OPP)
47	P17472000	MAGNET CATCH
48	P17018000	RIBBON END BAR
49	P17061000	SPRING(RIBBON END)
54	P13891010	SHAFT(ROLLER UW)
55	NG2201230	STRAIGHT PIN
56	P13911000	PULLEY(S2M 28)

9001162 Rev. B

No.	Part Number	Description
57	P17891000	GRITRON SE
58	R07575000	TENSIONER BR SET
59	PT2006006	DRY METAL
60	P17056010	SPRING(TENSIONER)
61	P19515000	TIMING BELT
62	P17146000	SHAFT(BASE TENSIONER)
63	P13817010	SHAFT(GEAR UW)
65	P13910000	ROLLER GEAR(20)
66	P17413000	GEAR PLATE
67	P18956000	PULLEY(S2M 24)
68	P13816000	SHAFT(IDLE PULLEY)
69	P13911000	PULLEY(S2M 28)
70	P17046030	RIBBON SHAFT BUSH
71	P17051010	GUIDE BUSH B
72	P13820010	SHAFT(RIBBON BOSS)
73	P17050010	RIBBON BOSS
74	MH0300522	PAN HEAD P TIGHT SCREW
75	P17016000	BOSS SPRING
76	P12267000	TORQUE LIMITER
79	P17048000	GUIDE BUSH A
80	P17047000	DRIVE BUSH
81	P17049010	RIBBON BOSS(GEAR)
82	P17060000	SPRING(BUSH)
84	P11461000	ONEWAY CLUTCH
85	PT2108100	OILESS BEARING
86	P17760000	OILESS BEARING
87	P17044000	ROLLER BR
88	PT2106030	OILESS BEARING
89	PT2103050	OILESS BEARING
90	P14225000	ONEWAY CLUTCH
102	P19384000	TORQUE LIMITER